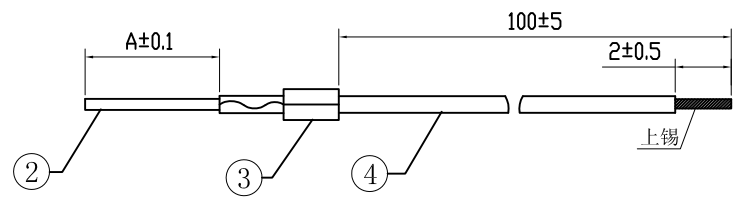
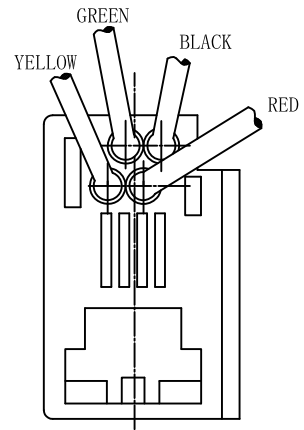
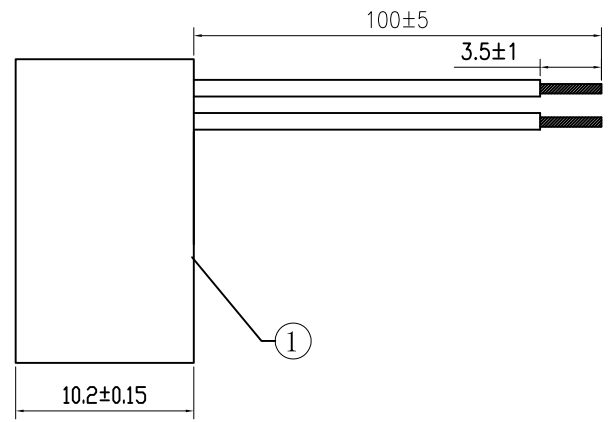
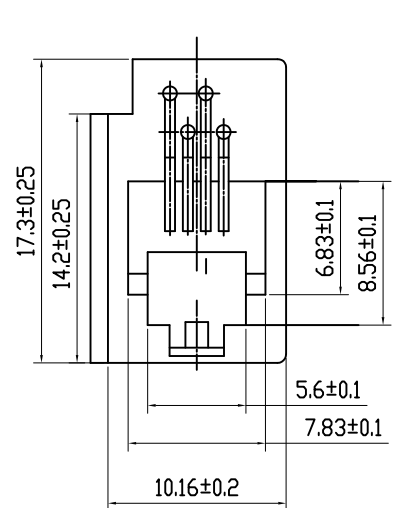


REV.	ECN NO.	DATE
00	新版发行	2013.3.25



**SPECIFICATION NOTES:**

- ELECTRICAL:**
- VOLTAGE RATING: 125 VAC RMS
  - CURRENT RATING: 1.5 AMP
  - CONTACT RESISTANCE: 30mΩ MAX.
  - INSULATION RESISTANCE: 1000MΩ MIN. AT 500V DC.
  - DIELECTRIC STRENGTH: 1000 V AC OR 1500V DC RMS AT 0.5mA 50 Hz / 60 Hz FOR 1 MINUTE
- MECHANICAL:**
- HOUSING: ABS UL94V-0 COLOR GRAY B8001
  - CONTACT MATERIAL: DIA. PHOSPHORBRONZE  $\phi=0.46$ MM
  - PLATING: GOLD PLATING AT CONTACT AREA, NICKEL 30U MIN. OVER ALL
  - OPERATING LIFE: 750 CYCLES MIN.
  - MATING/UNMATING FORCE: 30N/3.06KG MAX.
  - RETENTION STRENGTH: 50N MIN. FOR 60S±5S
- ENVIRONMENTAL:**
- STORAGE: 0° C TO +70° C RELATIVE HUMIDITY < 80%
  - GUARANTEE PERIOD: 6 MONTHS
  - OPERATION: 0° C TO +70° C
  - SALT WATER SPRAY: 8H

4	电子线	UL1061 26AWG 电子线	
3	正端	黄铜	
2	金丝	磷铜表面镀镍后镀金G/F	
1	616E塑壳 4P4C	阻燃ABS深灰(环保料)	
NO.	PART NO.	NAME	DESCRIPITON

RoHS COMPLIANT

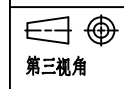
© 库乐科技

**TOLERANCES**  
 00~15 ±0.10  
 15~30 ±0.15  
 30~ ±0.20  
 ANGLES: ±1°

**Material:** SEE TABLE  
**Finish:** SEE TABLE  
**SHEET** 1 OF 1

**Designed:** 黄婷 2013/03/25  
**Checked:**  
**Approved:**

**NAME:** 616E带线插座 4P4C G/F 黑红绿黄 4L=100MM  
**DWG NO.:** CLO460  
**PART NO.:** 616E44010003  
**REV. 版本:** 00



A4  
SIZE

SCALE  
1:1

UNIT  
mm

CUSTOMER:  
N/A  
MODEL NO:  
N/A

1

2

3

4